

EN


Instructions for fitting, operating and maintenance
Side hinged door / GPD Personnel Door

Table of contents

1 About these instructions..... 2

1.1 Warnings and symbols used 2

1.2 Abbreviations used 3

2  Safety instructions 3

2.1 Qualified persons..... 3

2.2 Intended use 3

2.3 General safety instructions 3

3 Fitting 3

3.1 Safety instructions 3

3.2 Fitting 3

4 Inspection and Maintenance 3

4.1 Safety instructions 3

4.2 Checking the condition of the door 3

4.3 Profile cylinder 3

4.4 Accessories 3

5 Surface Protection..... 4

5.1 Door with steel infill 4

5.2 Door with timber or GRP infill 4

6 Cleaning and Care 4

6.1 Door surfaces made of steel 4

6.2 Synthetic panes 4

6.3 Data plate 4

7 Assistance with Malfunctions..... 4

8 Dismantling 4

 5

Dissemination as well as duplication of this document and the use and communication of its content are prohibited unless explicitly permitted. Noncompliance will result in damage compensation obligations. All rights reserved in the event of patent, utility model or design model registration. Subject to changes.

1 About these instructions

Make sure that these instructions remain with the door operator!

Read and follow these instructions carefully!

They provide you with important information on the safe fitting and operation, as well as proper care and maintenance of your garage door.




Keep these instructions and the warranty booklet in a safe place for later reference.

Enter the serial number (see the data label) here.

Serial no.:

1.1 Warnings and symbols used

Special safety information is provided at respective important points in these instructions. They are identified by the following symbols and signal words.

	The general warning symbol indicates a danger that can lead to injury or death .
 WARNING	
	Indicates a danger that can lead to death or serious injuries.
 CAUTION	
	Indicates a danger that can lead to minor or moderate injuries.
ATTENTION	
	Indicates a danger that can lead to damage or destruction of the product .



Important note for avoiding damage to property



Permissible arrangement or activity



Non-permissible arrangement or activity



Single-leaf door



Double-leaf door



Check



Optional components



Remove, recycle the component, packaging

1.2 Abbreviations used

PZ Profile cylinder
WSG Lever/knob handle set

2  Safety instructions

The manufacturer is not liable for damage resulting from non-compliance with these instructions including the safety instructions.

2.1 Qualified persons

Have a qualified person (competent person in acc. with EN 12635) fit, start-up and maintain the door following these instructions. While doing so, observe the requirements in the standards EN 12604 and EN 12635.

2.2 Intended use

- The garage door is only intended for private use. If you would like to use the door in a commercial application, first check whether the currently valid national and international regulations permit such use.
- The garage door is suitable for use outside; it opens outwardly.

2.3 General safety instructions

- Always keep the door's area of travel free from obstructions. When operating the door, make sure that neither persons, children in particular, nor objects are located within the door's area of travel.
- Protect the door from caustic, aggressive substances, e.g. nitrous reactions from stones or mortar, acids, alkali solutions, de-icing salt, aggressive paints or sealants.
- Make sure that there is sufficient water run-off and ventilation (drying) in the lower section of the side frames and the threshold profile.
- Operation of the door during heavy winds may be dangerous.

3 Fitting

3.1 Safety instructions

 WARNING

Danger of injury

There is a danger of injury during fitting. Observe the following instructions:



- ▶ Wear safety glasses and protective gloves.



- ▶ Check that the fixing materials supplied are suitable for the given structural conditions. Only use suitable fixing material.
- ▶ Secure the door from falling.
- ▶ Fit all delivered fastenings according to the fitting instructions.

ATTENTION

Damage to the product

Observe the following instructions:

- ▶ Protect the door frame and door leaf against drilling dust during fitting.
- ▶ Install a door with timber infill only in dry garages.

3.2 Fitting

The garage door can be fitted from the inside behind the opening or in the opening.

All dimensions in the illustrated section are in mm.

To ensure simple and safe fitting, carefully go through the work steps!

4 Inspection and Maintenance

4.1 Safety instructions

- ▶ Have a specialist perform inspection and maintenance work on the door at least once a year in accordance with these instructions.

 WARNING

Door travel

There is a danger of injury in the door's area of travel.

- ▶ Functional parts, particularly safety components, may only be exchanged by a specialist.

4.2 Checking the condition of the door

- ▶ Visually inspect the general condition of the door, all components, and safety devices for completeness, proper condition, and effectiveness.
- ▶ Check that all of the fixing points are tight. Tighten the screws if necessary.

4.3 Profile cylinder

ATTENTION

Care products

Unsuitable care products may cause damage.

- ▶ Only use specialised care products for the profile cylinder. Do not use oil or graphite.

4.4 Accessories

To ensure a high level of quality, safety, reliability, as well as a long service life, only use original parts intended for this particular garage door.

5 Surface Protection

5.1 Door with steel infill

The door leaf is made of galvanized material and has a polyester-primer coating. Scratches or minor damage are no reason for complaints. For long-lasting surface protection, we recommend applying a final coat within three months of delivery. For this, follow the steps below:

1. Lightly sand the door surface with a fine sand paper (at least 180 grain size).
2. Clean the door surface with water and then dry it.
3. Apply a 2K-EPOXY-etch primer to the door surface and paint it with a conventional synthetic resin paint for outdoor applications. Coordinate both coatings with each other. When doing so, follow the instructions provided by the paint manufacturer. Renew the final coat when necessary, depending on the local weather conditions.

5.2 Door with timber or GRP infill

See separate instruction label on inside face of door.

6 Cleaning and Care

6.1 Door surfaces made of steel

- ▶ Clean the door surfaces with clear water and a soft sponge or with conventional paint cleaners.

6.2 Synthetic panes

ATTENTION

Cleaning products

Unsuitable cleaning products can cause stress cracks and damage the panes.

- ▶ Do not use any abrasive cleaners, sharp tools or alcohol-based glass cleaners.
- ▶ Clean the synthetic panes with clear water and a soft sponge or cloth.
- ▶ Use a mild, acrylic-compatible plastics cleaner if more heavily soiled. Follow the instructions for use provided by the manufacturer.

6.3 Data plate

- ▶ Clean the data plate.

It must always be easy to read.

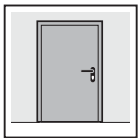
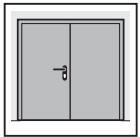
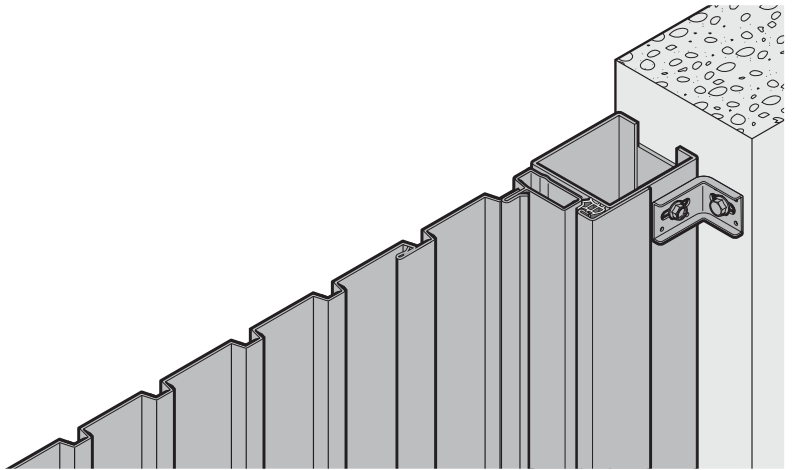
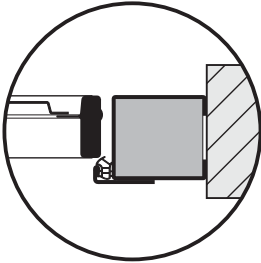
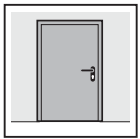
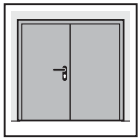
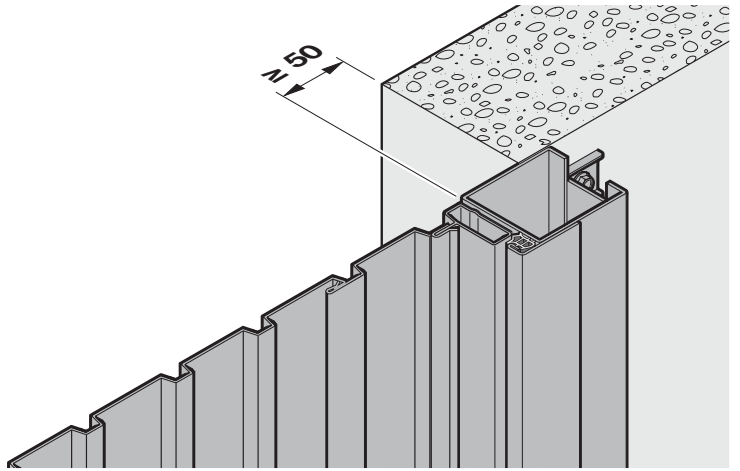
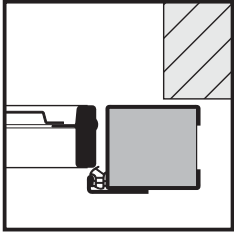
7 Assistance with Malfunctions

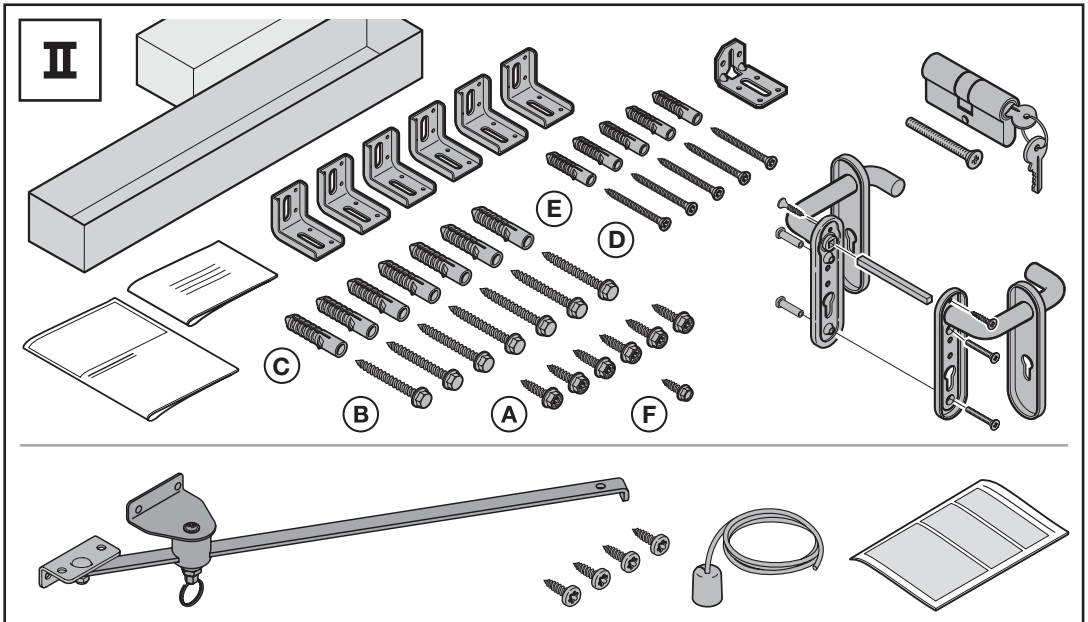
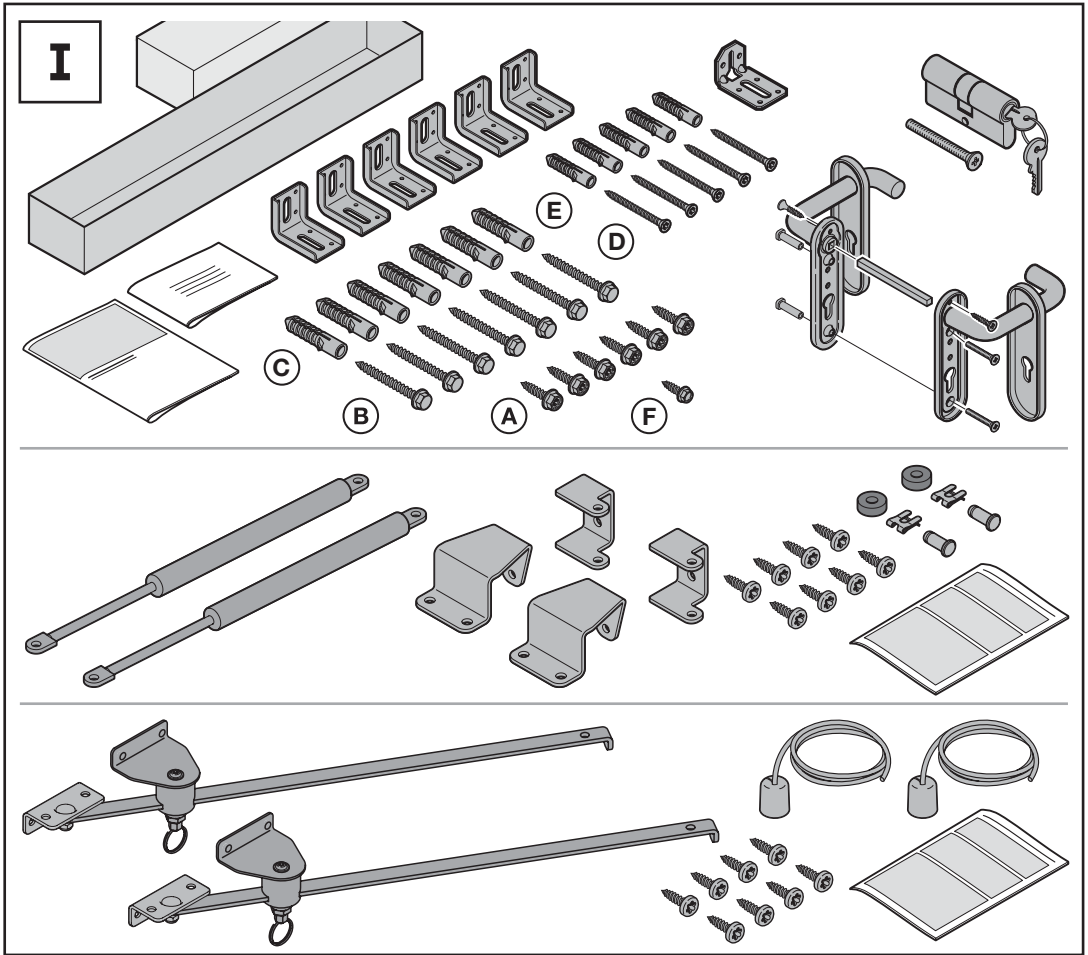
If the door is difficult to move or exhibits other malfunctions:

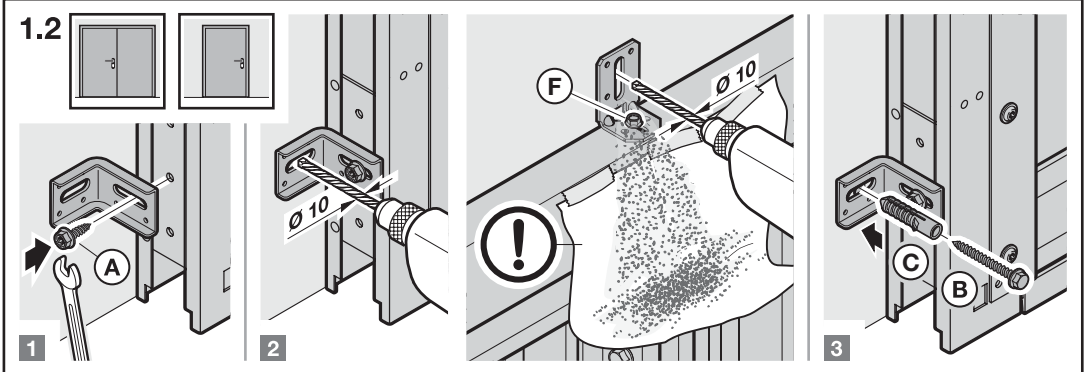
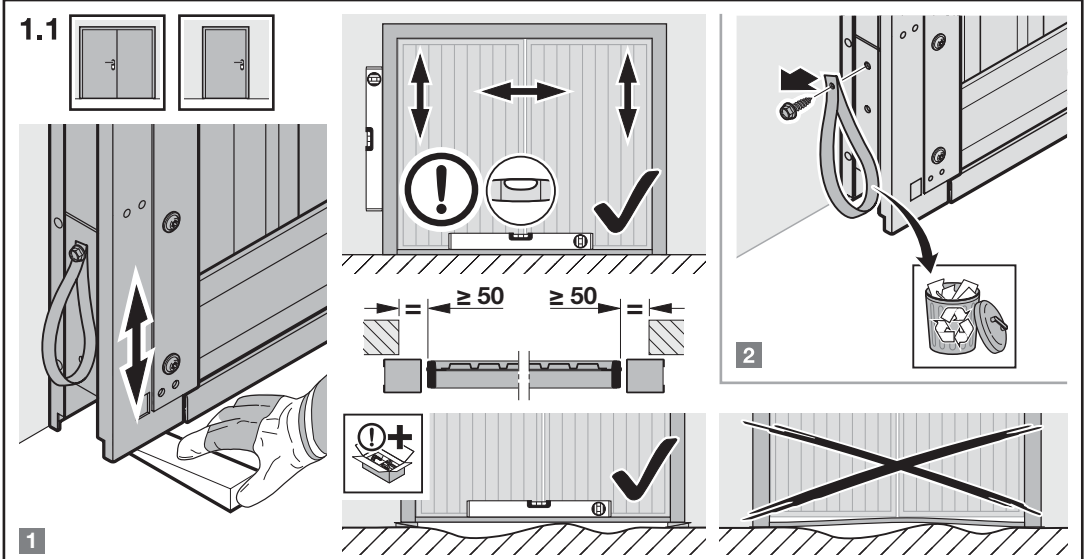
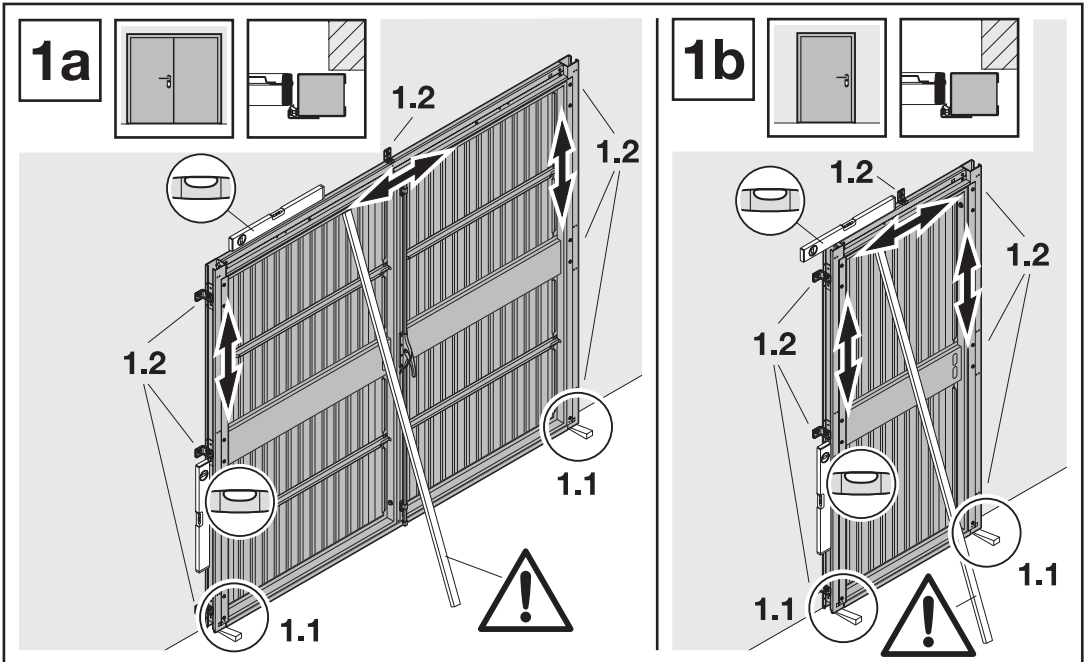
- ▶ Check all the functional parts. To do this, please follow the instructions in Chapter *Inspection and Maintenance*.
- ▶ In the case of uncertainty, contact a specialist for assistance.

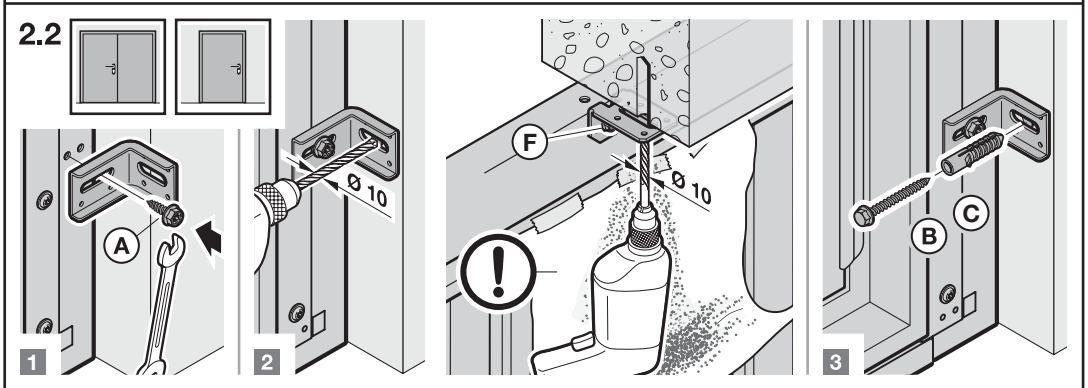
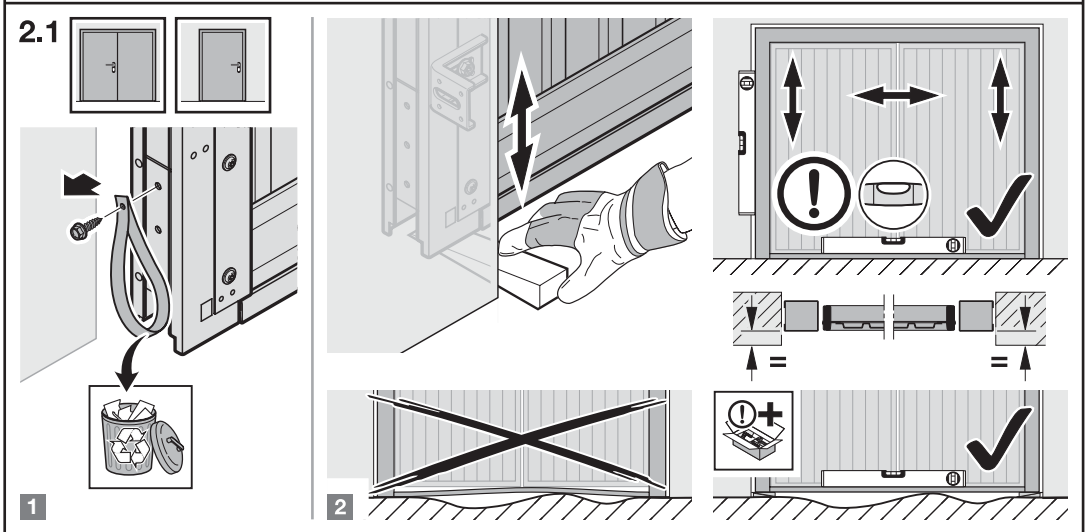
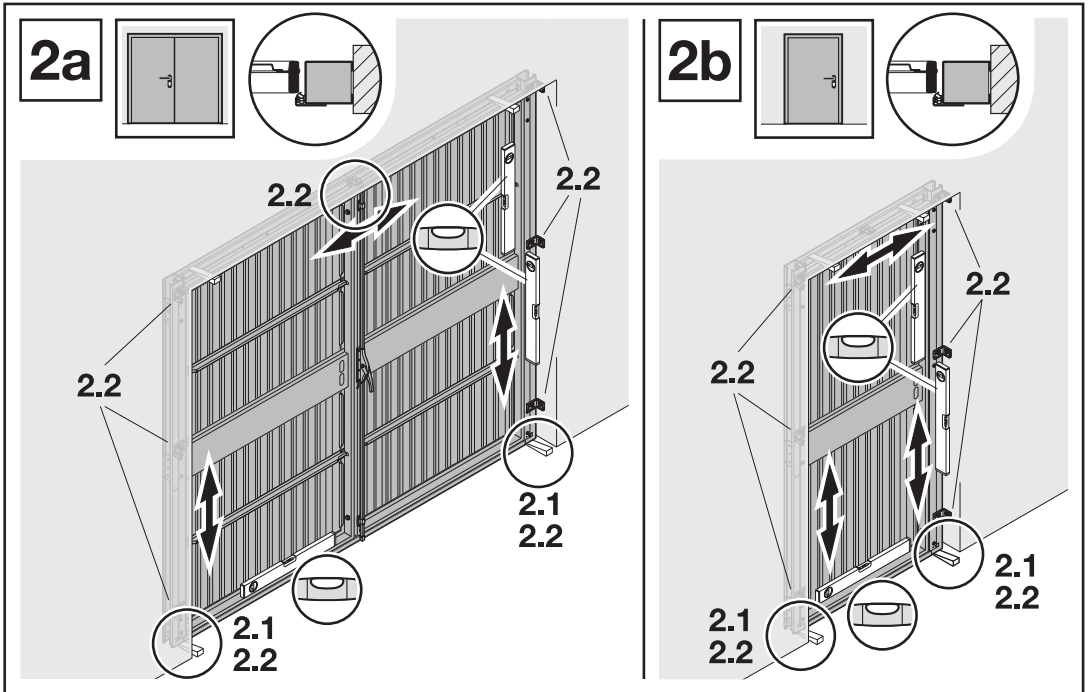
8 Dismantling

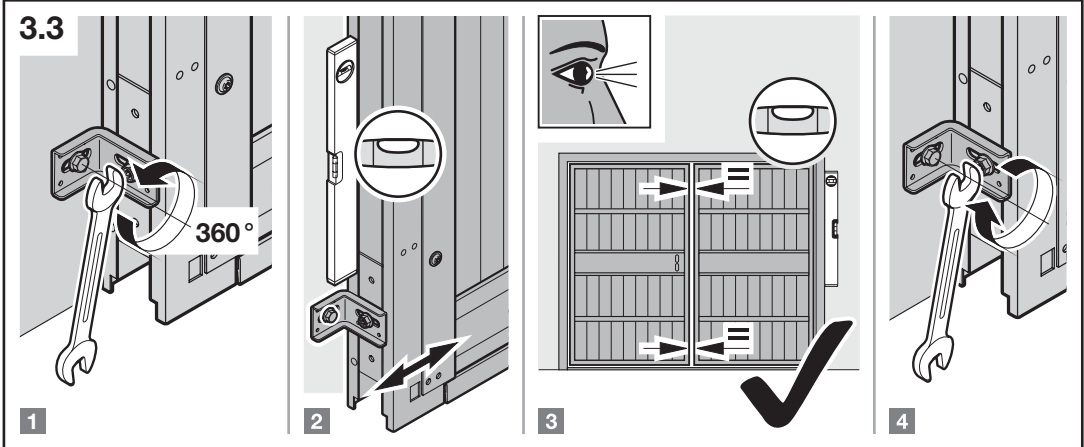
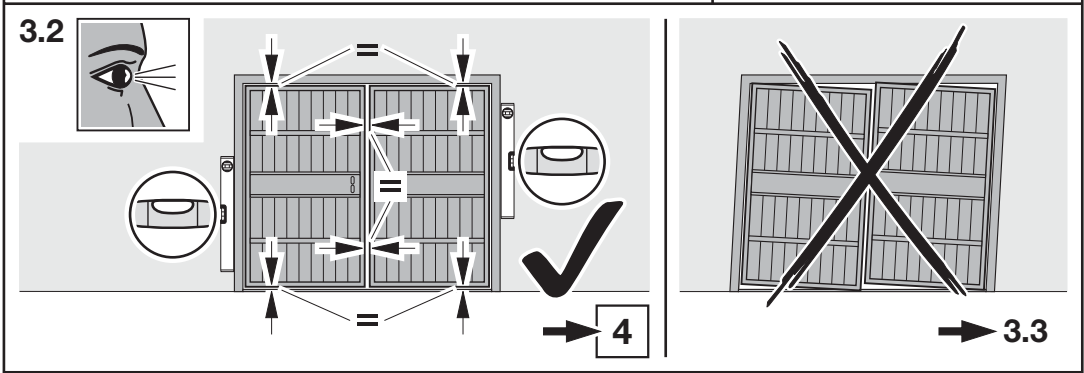
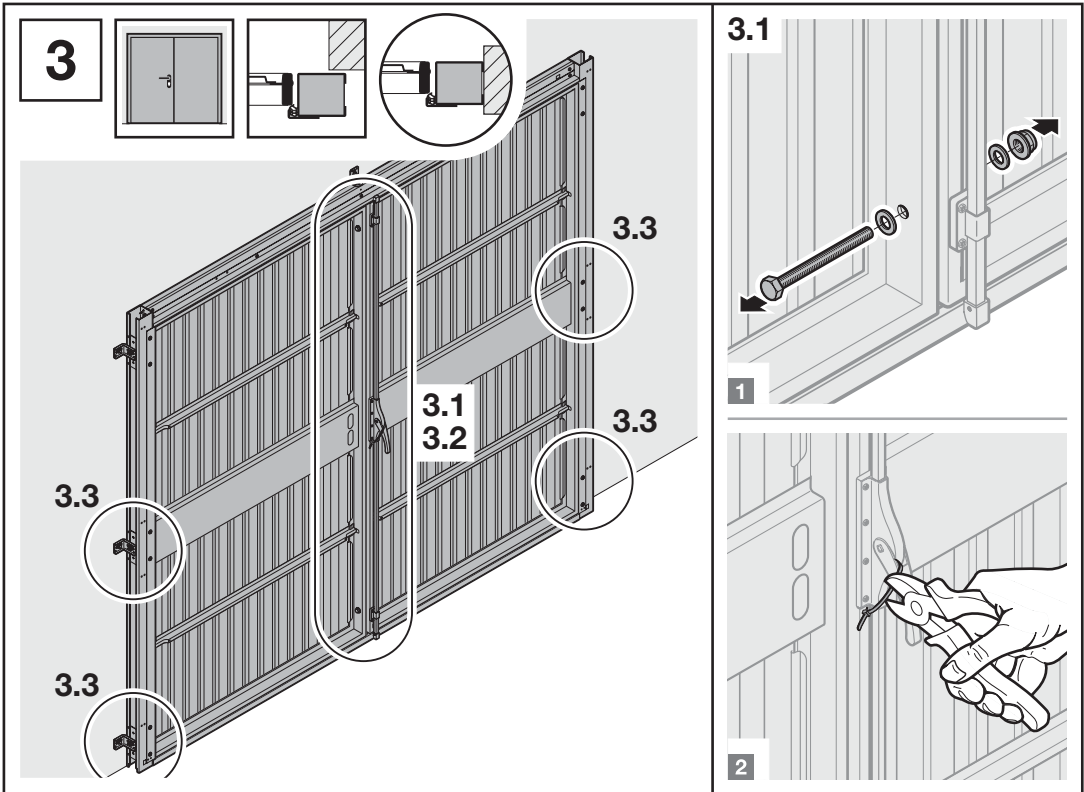
Have the door dismantled and disposed of by a specialist.



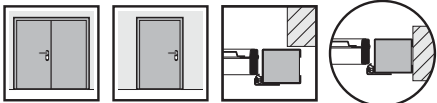




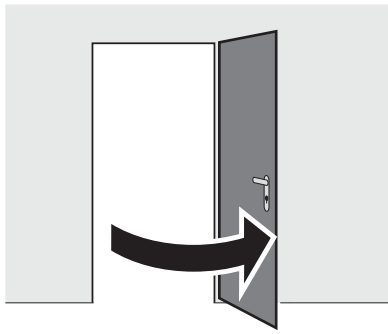
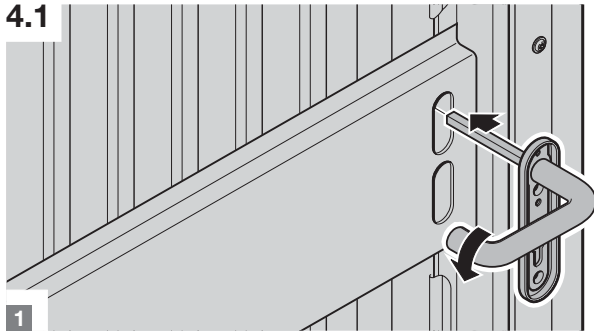




4

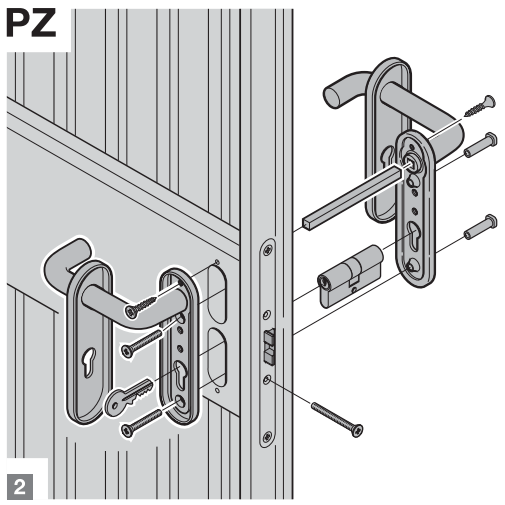


4.1

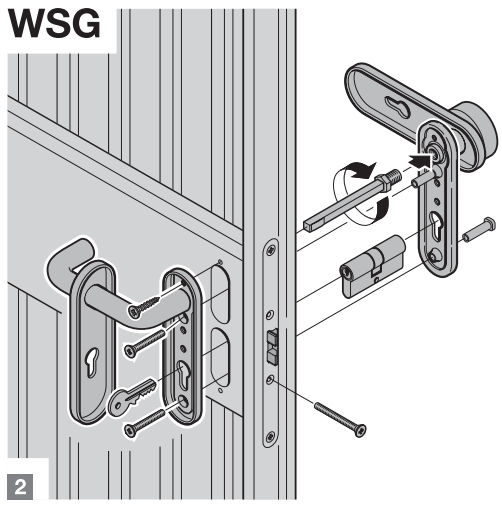


1

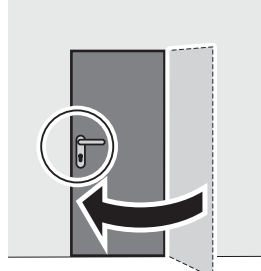
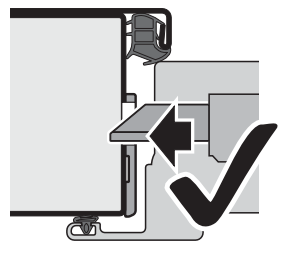
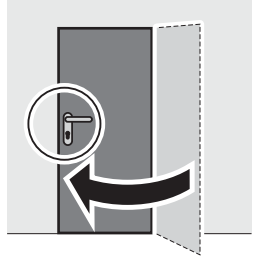
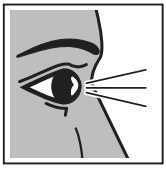
PZ



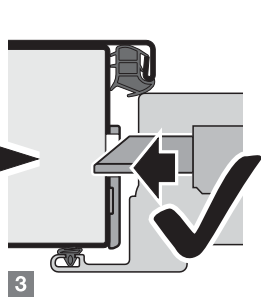
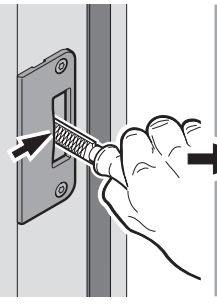
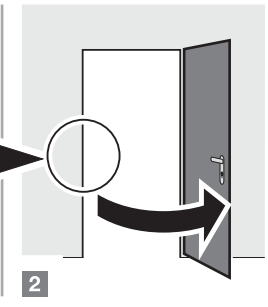
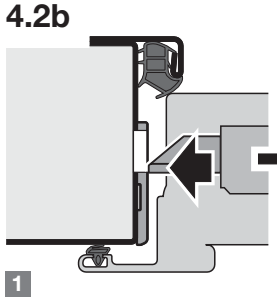
WSG



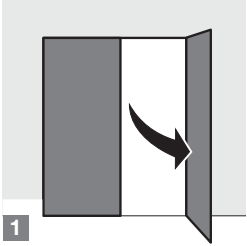
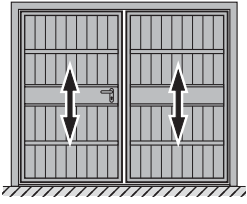
4.2a



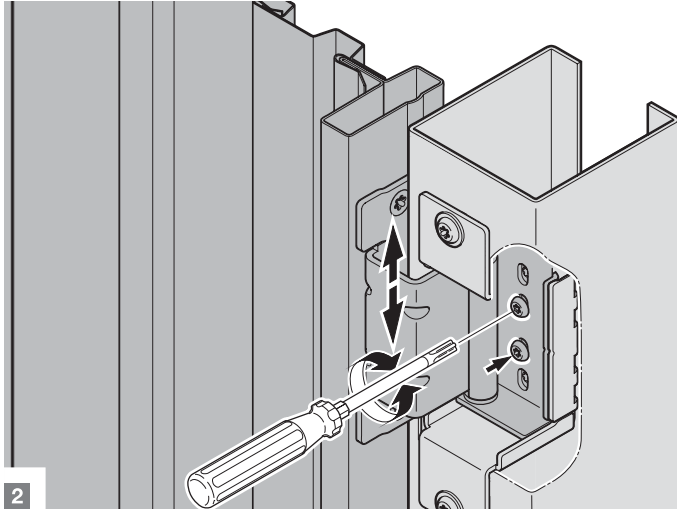
4.2b



4.3a

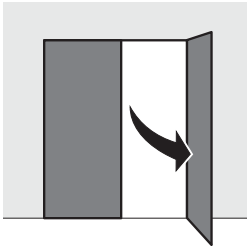
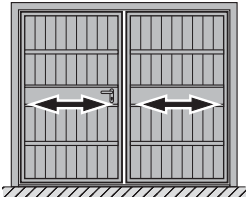


1

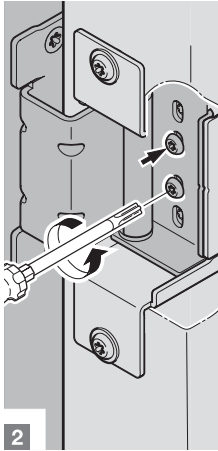


2

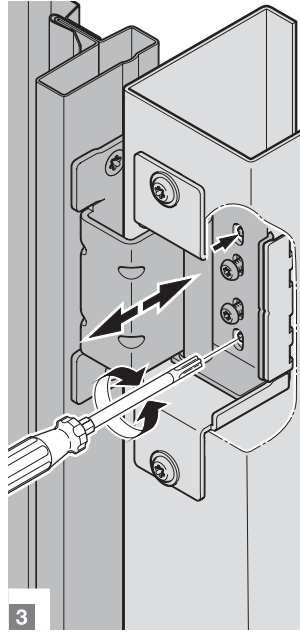
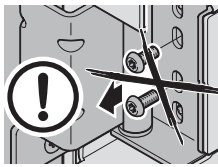
4.3b



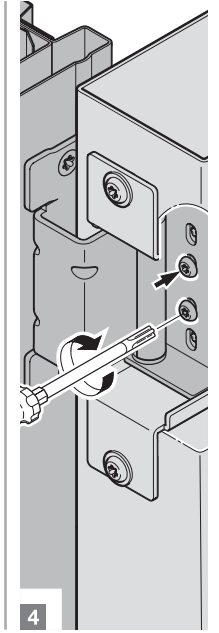
1



2

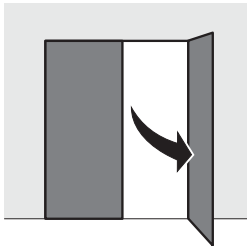
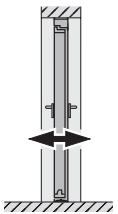


3

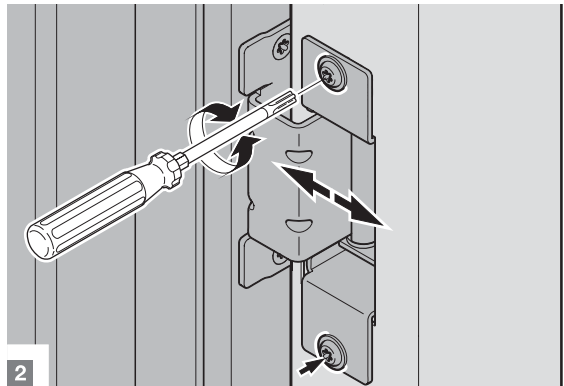


4

4.3c

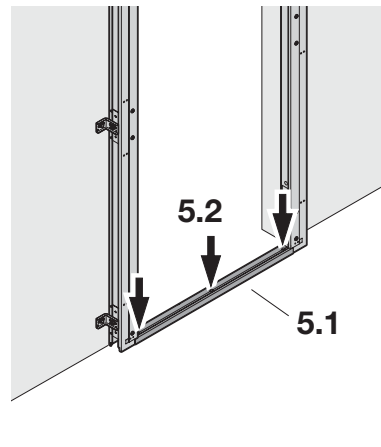
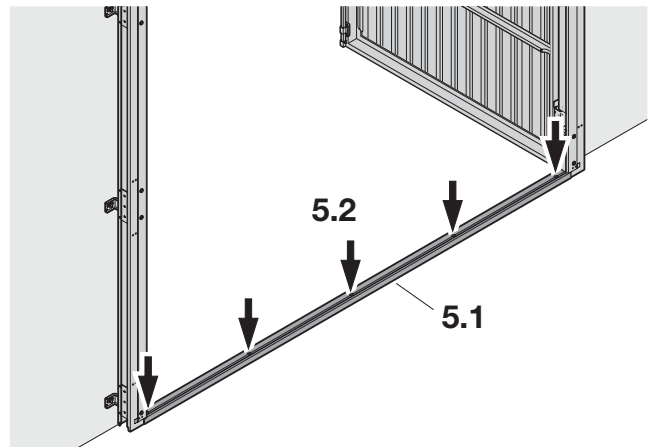
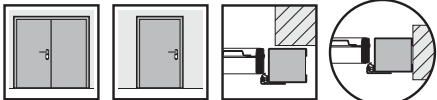


1

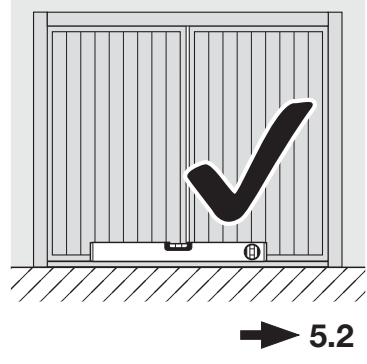


2

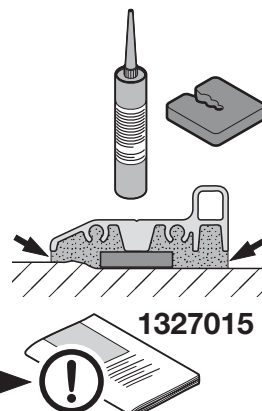
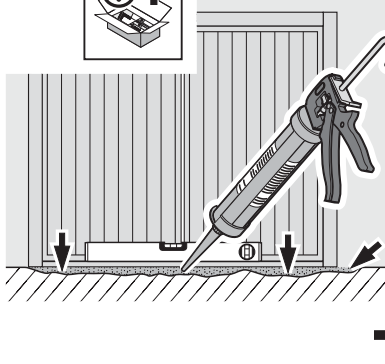
5



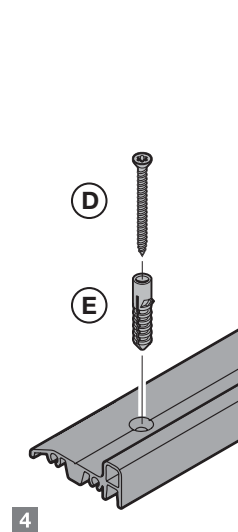
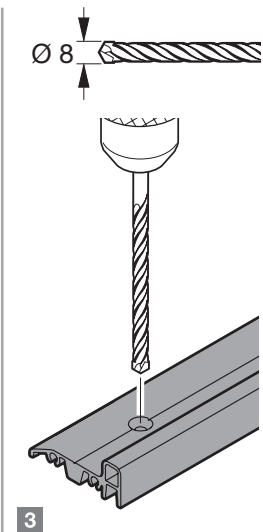
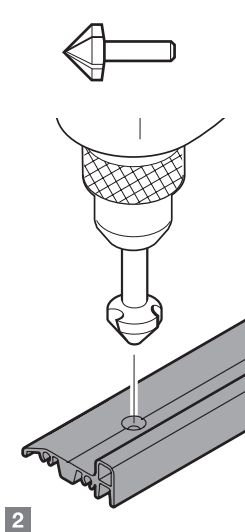
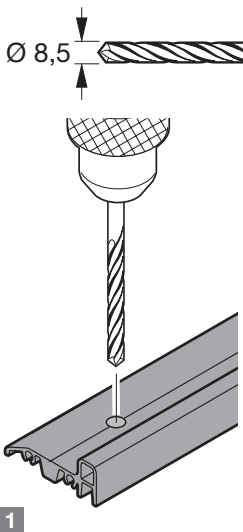
5.1a



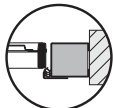
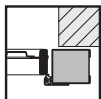
5.1b



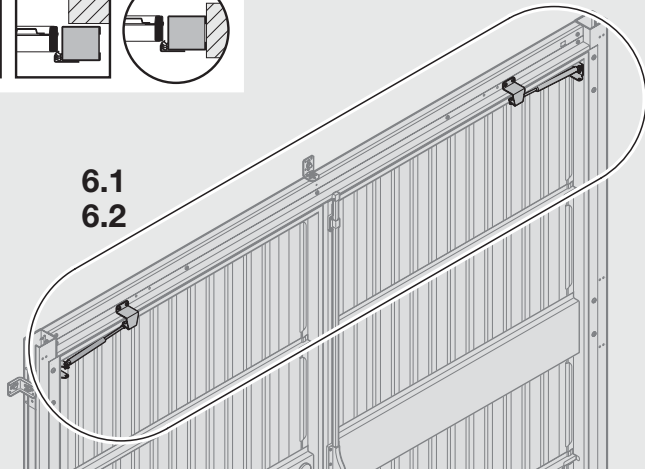
5.2



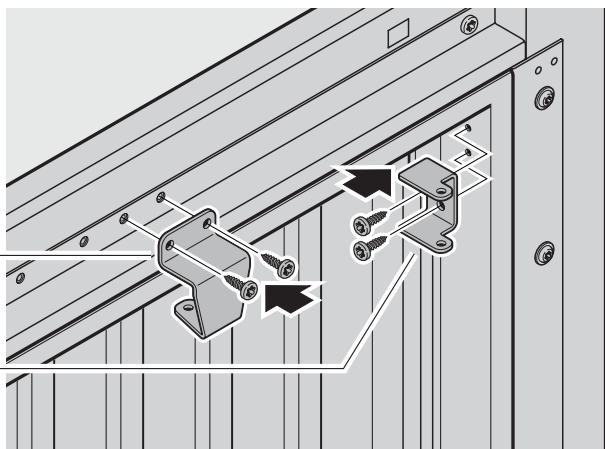
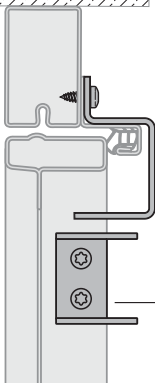
6



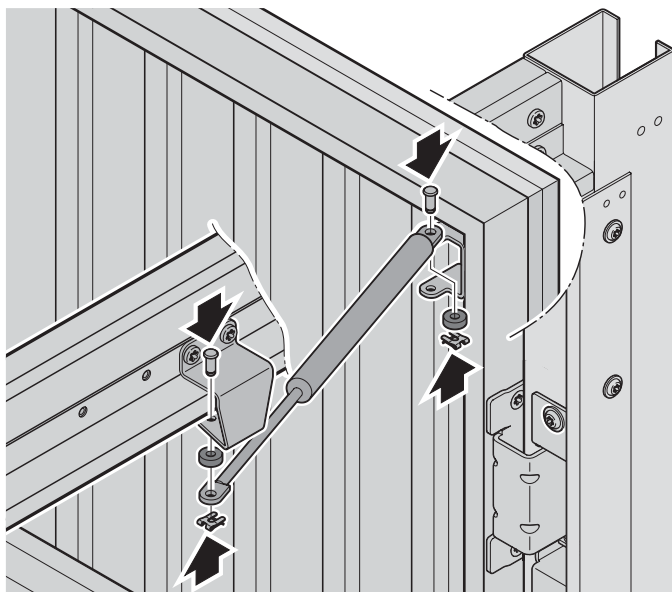
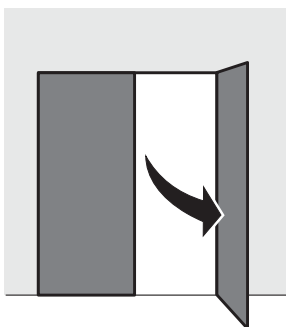
6.1
6.2



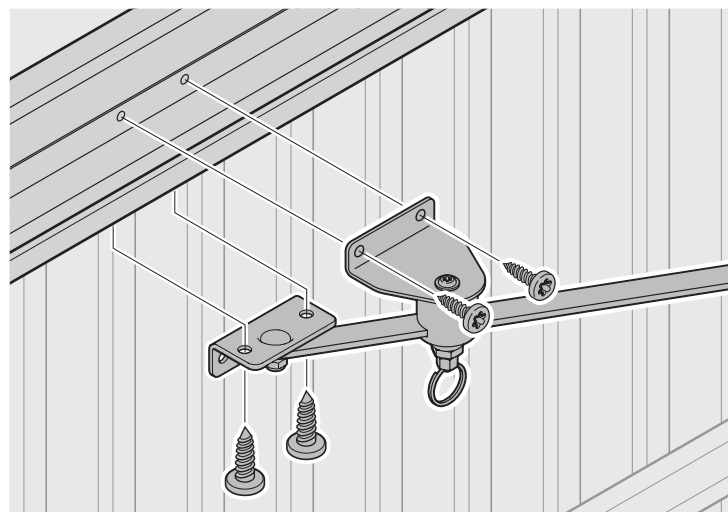
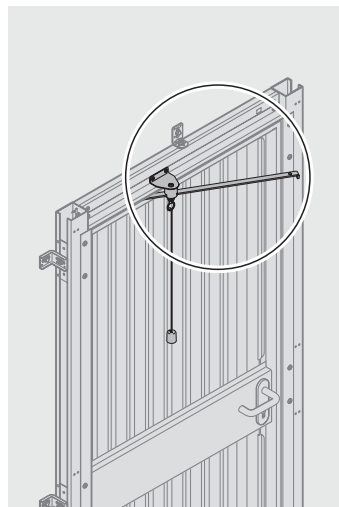
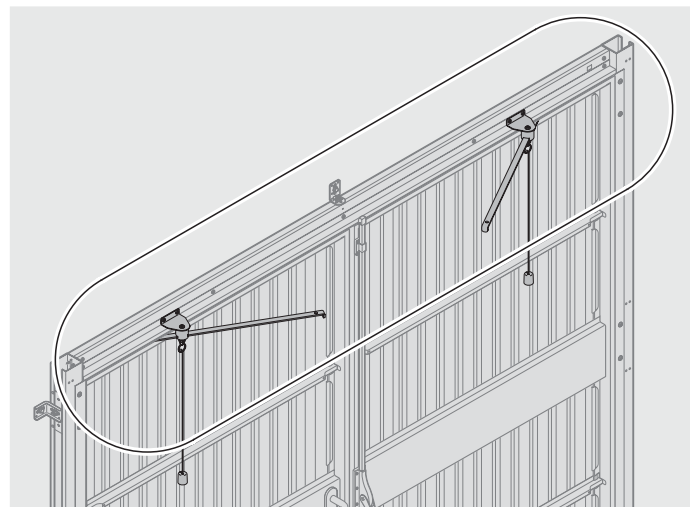
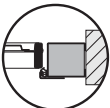
6.1



6.2



7



1

2

